

# Model PCS Shrimp Waste Separator

**Laitram  
Machinery**

## Specifications

### Floor Space:

1.10 m x 1.44 m; 1.58 m<sup>2</sup>  
(3 ft 7 in x 4 ft 8.6 in; 16 ft<sup>2</sup>)

**Power:** Available in most major voltages, including 208/220/240/480 V (60 cycle), and 380 V (50 cycle); 3 phase. 1 hp motor included.

**Water:** 23 liters (6 gallons) per minute. Pumping or fluming shrimp will reduce consumption.

**Net Weight:** 193 kg (425 lb).

**Approx. Gross Crated Weight:** 333 kg (735 lb).

*Specifications are subject to change without notice.*



The Laitram® Model PCS Waste Separator continues the cleaning process by separating from the edible meats the waste material already detached by the Model PCC Cleaner. Shrimp pass through the Model PCS in a continuous flow from the Model PCC Cleaner (or from the Model CSC Lift Conveyor) without operator contact.

## SAFETY FEATURES

The Model PCS includes safety covers over the rollers and a safety stop switch to prevent operation when the upper frame is opened.

## SIMPLE TO OPERATE & MAINTAIN

Like all Laitram equipment, the Model PCS is constructed of stainless steel and is easy to clean. The Separator's simple design allows adjustments to be made quickly and easily during operation.

## LAITRAM QUALITY

Since 1949, Laitram has been a supplier of food processing equipment throughout the world. We have built our reputation on quality machinery, expert service and replacement parts. Call us. Together, we'll select the best system to meet your processing needs.



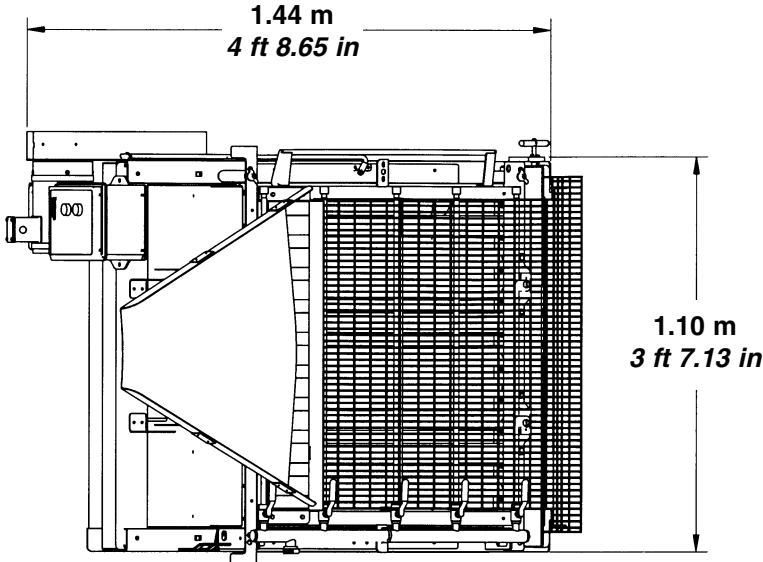
*Swimmerets, gristle and debris pass through stainless steel rollers, efficiently separating waste material from edible meats.*



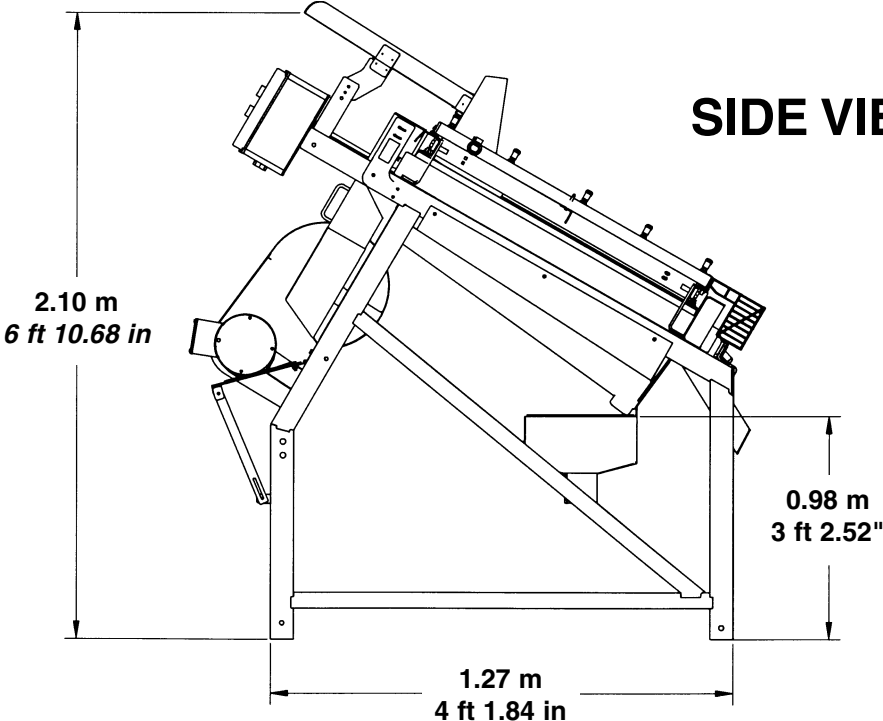
*Adjustment handle allows roller spacing to be adjusted quickly and easily for efficient operation.*

# Model PCS Shrimp Waste Separator

**TOP VIEW**



**SIDE VIEW**



Laitram Machinery, Inc. • P.O. Box 50699 • New Orleans, Louisiana 70150 • USA  
Tel: 1-504-733-6000 • Toll Free: 1-800-533-8253 • Fax: 1-504-733-2143  
Email: [lm.sales@laitram.com](mailto:lm.sales@laitram.com) • Internet: <http://www.laitrammachinery.com>