

Automatic Insert Cleaning System

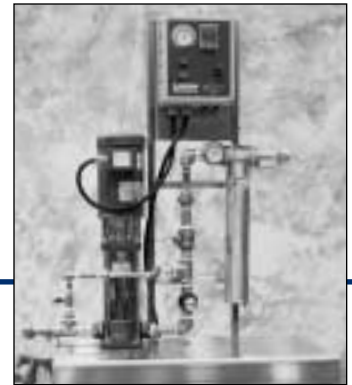
**Laitram
Machinery**



Designed to simplify sanitation and maintenance, the system's spring-loaded release hinge tilts the frame up for easy access to all surfaces.



Processors can adjust cleaning cycles and nozzle pressure from a single system control panel.



This option is currently available for Model PCA and Icelandic A cold water peelers operating without finger frames. The Automatic Insert Cleaning System includes a single high-pressure water pump with system control panel (ICCS) and one or more peeler-mounted insert cleaners.

ELIMINATES SHELL WRAP

The Automatic Insert Cleaning System maximizes peeler efficiency and yield by removing the layers of shrimp shells that cling to inserts. Without a cleaning system, "shell wrap" will widen the peeling gap between inserts and rubber rollers. By maintaining the proper gap size, the Automatic Insert Cleaning System decreases tail pinching, increases throughput, and saves water.

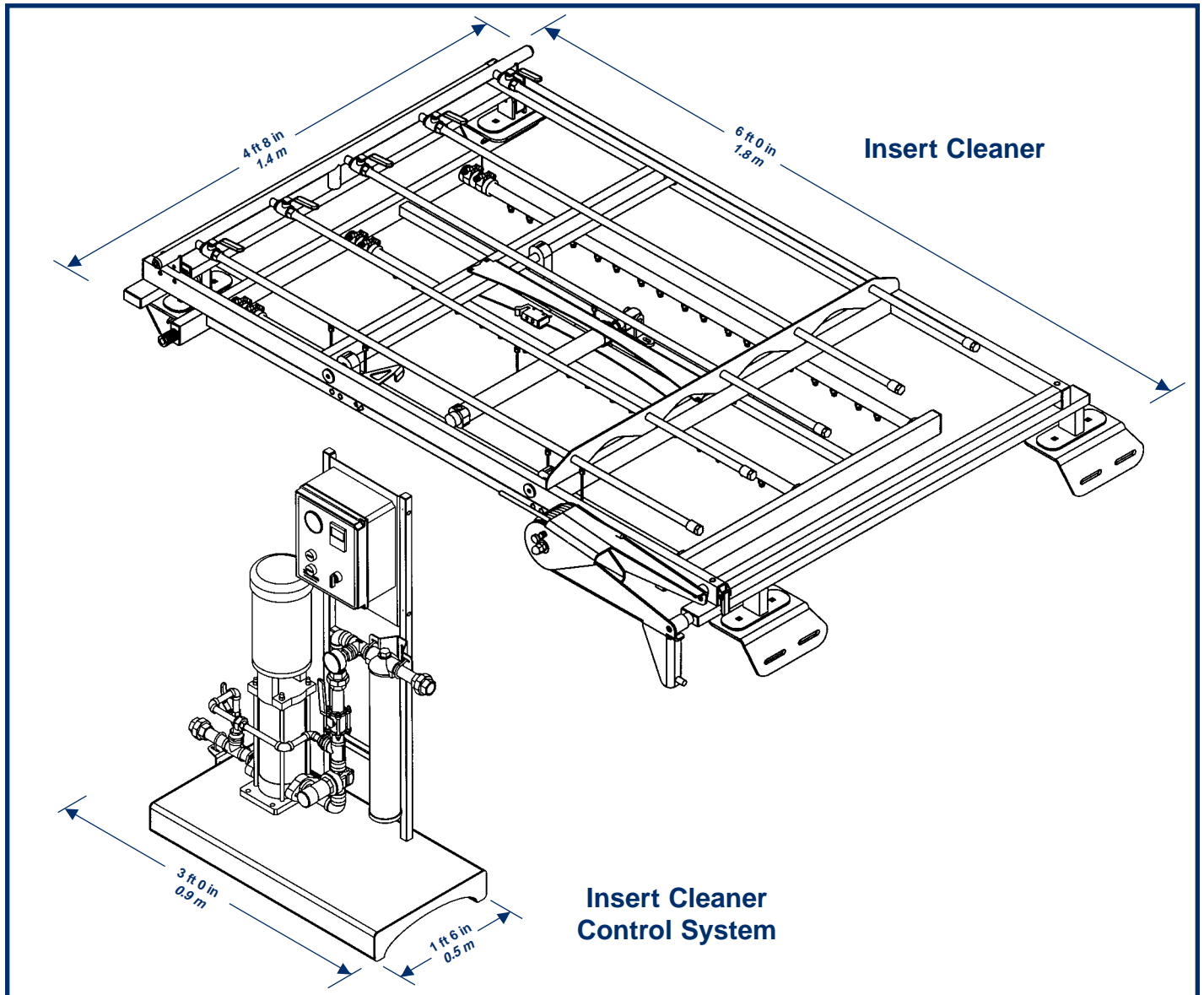
CONVENIENT OPERATION

Laitram's Automatic Insert Cleaning System allows peeling to continue during cleaning cycles. Dual high-pressure/low-pressure spray pipes mounted on a frame replace existing peeler spray pipes. As the frame slides up and down the length of the inserts, the pipes direct high-pressure water streams at the inserts to dislodge shrimp shells.

LAITRAM QUALITY

Since 1949, Laitram has been a supplier of food processing equipment throughout the world. We have built our reputation on quality equipment and exceptional service. Call us. Together, we'll select the best system to meet your processing needs.

Automatic Insert Cleaning System



Specifications



Laitram Machinery, Inc. • P.O. Box 50699 • New Orleans, Louisiana 70150 • USA
Tel: 504 733 6000 • Toll Free: 800 533 8253 • Fax: 504 733 6111
Email: lm.sales@laitram.com • Internet: www.laitrammachinery.com